

# **CondoSoftener**

## **Installation and User's Manual**



## Table of Contents

Table of Contents.....	1
Introduction.....	2
Installation Condition .....	3
Installation Illustration.....	3
Installation Guide .....	4
Using and Maintenance.....	7
Important Notice .....	8
Technical Parameter.....	10

- Please read this manual carefully before use
- You might keep this manual well for future reference.
- Canature company pays a lot attention on product and quality improvement, please excuse us for not notifying any changes.

### Introduction

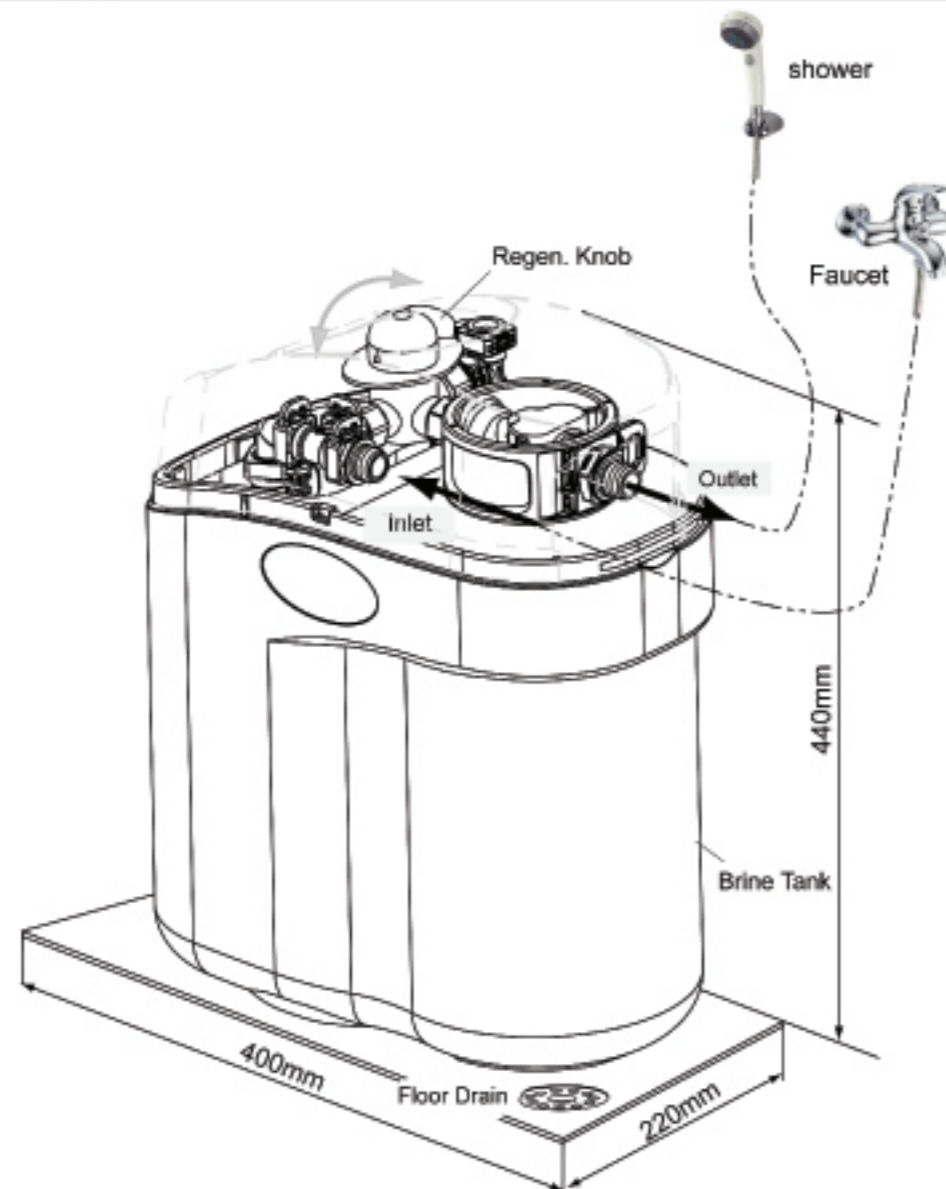
- Designed for bath, it removes hardness and kinds of heavy metal ions to provide high quality soft water which can keep your skin smoothy, healthy and beautiful, and also makes hair look shinny.
- No electricity, drain line required. Safe and reliable.
- Nice and compact design, space saving, and flexible layout.
- Simple regeneration procedures, two steps only, more efficient for water using.
- Quick connections for plumbing system, easy to install and take apart.
- Non pressure operation and standby mode, longer life span and more stable.
- National Patented Protection, ensure tech. advanced.

## CondoSoftener Installation and User's Manual

### Installation

1. A water faucet with an individual shower head with a flexible hose is required for the installation of CondoSoftener. All connection threads used by this system is BSP 1/2".
2. It is recommended to install the system in on a stable surface with a suitable floor drain.

### Installation Illustration



- Diagram for illustrative purposes only.

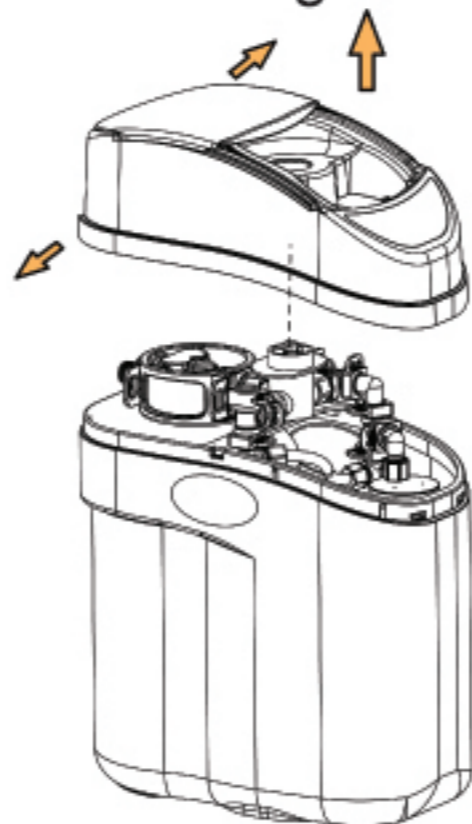


## CondoSoftener Installation and User's Manual

### Installation Guide



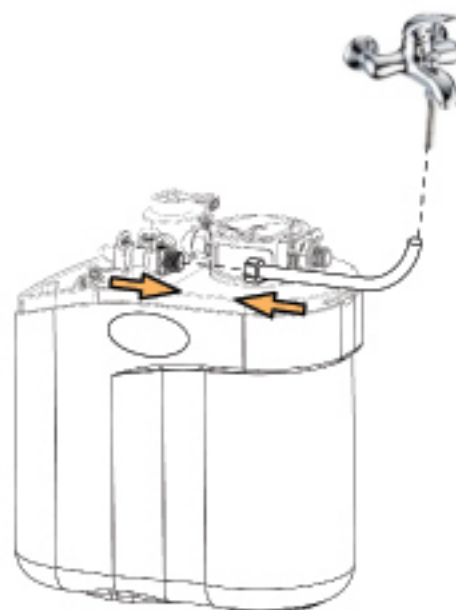
1. Place the system in the desired location and slide the top cover towards the back to reveal the regeneration knob; then remove the regeneration knob by grasping it and pulling up.



2. Remove the top cover by pulling apart on the left and right sides while lifting it up.

## CondoSoftener Installation and User's Manual

---

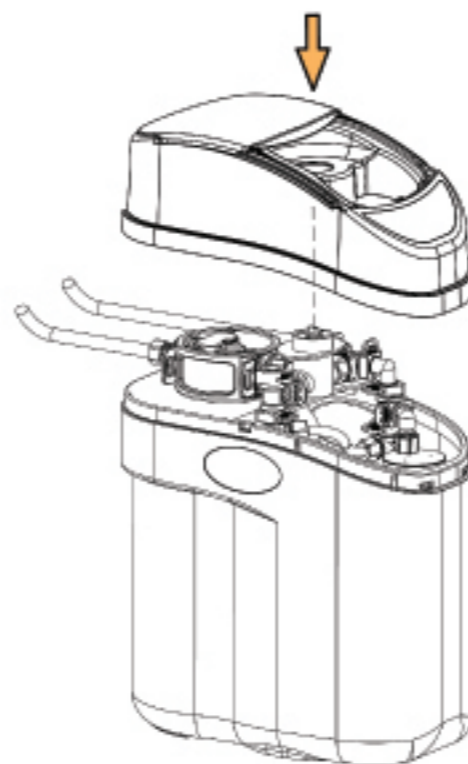


3. If you have an existing shower head installed, begin by disconnecting your existing shower head and the attached hose (if present). After the shower head has been removed, use the accessory hose included to connect from your water supply to the inlet the CondoSoftener. You will need to remove the locking clip by pulling it out, in order to connect the accessory hose to the softener, and also replace the locking clip once the connection has been made. Check to ensure that washers are present at connections.

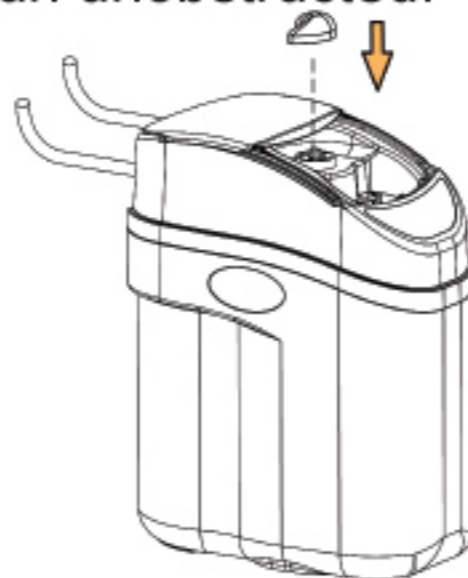


## CondoSoftener Installation and User's Manual

4. Connect the shower hose to the outlet of the system. When connecting to the outlet, you will need to first remove the locking clip by pulling it out. Once the locking clip is removed, you may connect your shower hose and shower head; and finally replace the locking clip once the connected. Check to ensure that washers are present at connections.



5. Replace the top cover back on top of the system, making sure the hole on the cover and the knob align correctly. Check to ensure that there is no impediment to the inlet and outlet hoses by the top cover, and that the inlet and outlet hoses run unobstructed.





## CondoSoftener Installation and User's Manual

6、 Insert the Regen. knob back onto the knob axis observing proper direction, then turn the knob to the service (Ser.) position, and close the top sliding cover completely. The system is now on standby ready for use.

(Note: The current operating cycle is indicated by the protruding marker on the outside of the knob)

For first use after the installation of the system, it is recommended to turn on the shower and keep the water flowing for 2-3 minutes to initially flush the system.

### Usage and Maintenance

#### 1、 Service

When the regeneration knob is placed in the service (Ser.) position, your CondoSoftener will provide softened water.

Note: In service mode, the water will flow to the shower and also automatically refill the brine tank to maintain water level in the brine tank.

#### 2、 Regeneration

Once the softness of the water begins to weaken (Initial indications such as less suds during showering), the ion exchange resin that is responsible for softening the water must be regenerated. To initiate regeneration, turn the knob to the Regen. position, then put the shower head in the bathtub, and turn on the water (cold water is acceptable) for approximately 30 minutes. During this time, the brine solution will be drawn out of the brine tank to regenerate the system and flushed out of the shower head. Check to ensure that the shower head is placed so that the water may drain properly.

#### 3、 Add Salt

The system needs salt in order to regenerate the system. Please check the salt storage (brine tank) after use to ensure there is sufficient salt in the tank. There should be enough salt that there remains unmelted salt, which indicates the water is fully saturated with salt.

Salt may be added by simply sliding open the top cover and pouring salt in the tank. We recommend the use of water softening salt in the form of compressed salt pellets. It is recommended to add approximately 3-4kg after each regeneration cycle.



## CondoSoftener Installation and User's Manual

Tip: There is no harm to regenerate the system more frequently and/or prior to exhaustion of its water treatment capacity. You may wish to regenerate on a regular schedule, just short of the time period you would normally experience exhaustion of its water treatment capacity.



### 4. Maintenance

No special maintenance is required under normal usage conditions. If the system has not been used for more than a week, it is recommended to flush the system with fresh water for approximately 1-2 minutes prior to use, to ensure you get fresh soft water.

### Important Notice

1. This system is designed to be only used in a shower or bath. Use in any other way, other than what has been described in this manual may cause unpredictable operation and will invalidate the warranty of this system.
2. Please thoroughly check all related connections following the installation of CondoSoftener and ensure that there are no leaks, and o-rings or washers are used where applicable.
3. Before operating the system, please adjust the temperature of the water to a temperature approximately that of your showering water temperature. This system is designed to treat water at typical temperatures used for showering; please limit the temperature below 60°C. Use of the system beyond water temperatures of 60°C is not recommended and will invalidate the warranty.
4. If there are large differences in the room temperature and the water temperature, the temperature of the water

## CondoSoftener Installation and User's Manual

---

coming from the system may need additional time to stabilize. Please allow additional time for the water temperature to stabilize, and exercise caution if you have your water temperature set to a high temperature.

5. CondoSoftener should never be exposed to freezing temperatures, and should be stored between 5°C to 49°C. The system should also be kept away from sources of ultraviolet radiation.
6. The system has been designed to work optimally with water softening salt pellets. Use of other types of salt is not guaranteed and not covered under the warranty.
7. Protect the system, tank, and jacket from impacts.
8. Keep the top sliding cover closed during normal use to help avoid impurities from entering the brine tank.
9. When moving or transporting the system, lift and carry the system; and do not allow the system to contact surfaces to avoid damage to both the system and surfaces.
10. CondoSoftener may be used for either a shower or bathtub, however please ensure it's placement is in proximity to a floor drain.



## CondoSoftener Installation and User's Manual

### Technical Parameter

Model	CondoSoftener
Serial Number	
Inlet Water Requirement	Municipal treated water
Working Temperature	5 - 55°C
Working Pressure	0.15-0.3MPa
Maximum Rate Flow	1.0 m <sup>3</sup> /h
Service Flow Rate	<0.5 m <sup>3</sup> /h
Max. Salt Storage	8 kg.
Inlet/outlet	1/2 BSP
Net Weight	Approx. 8kg
Dimensions	360×200×440 mm.

### Trouble Shooting

Problem	Cause	Solution
Water is not soft enough.	<ul style="list-style-type: none"><li>-Water treatment capacity of media is exhausted</li><li>-Regeneration period is not long enough</li><li>-Incoming water pressure low</li></ul>	<ul style="list-style-type: none"><li>-Regenerate system</li><li>-Regenerate system for a longer period</li><li>-Replace with a larger injector</li></ul> Note: Ensure there is water in the brine tank in all cases
Too much water in the brine tank	<ul style="list-style-type: none"><li>-Water from the outside is leaking into the tank</li><li>-The valve may be defective</li></ul>	<ul style="list-style-type: none"><li>-Ensure the top cover is completely closed and no other source of water can leak into the system</li><li>-Please contact CondoSoftener</li></ul>