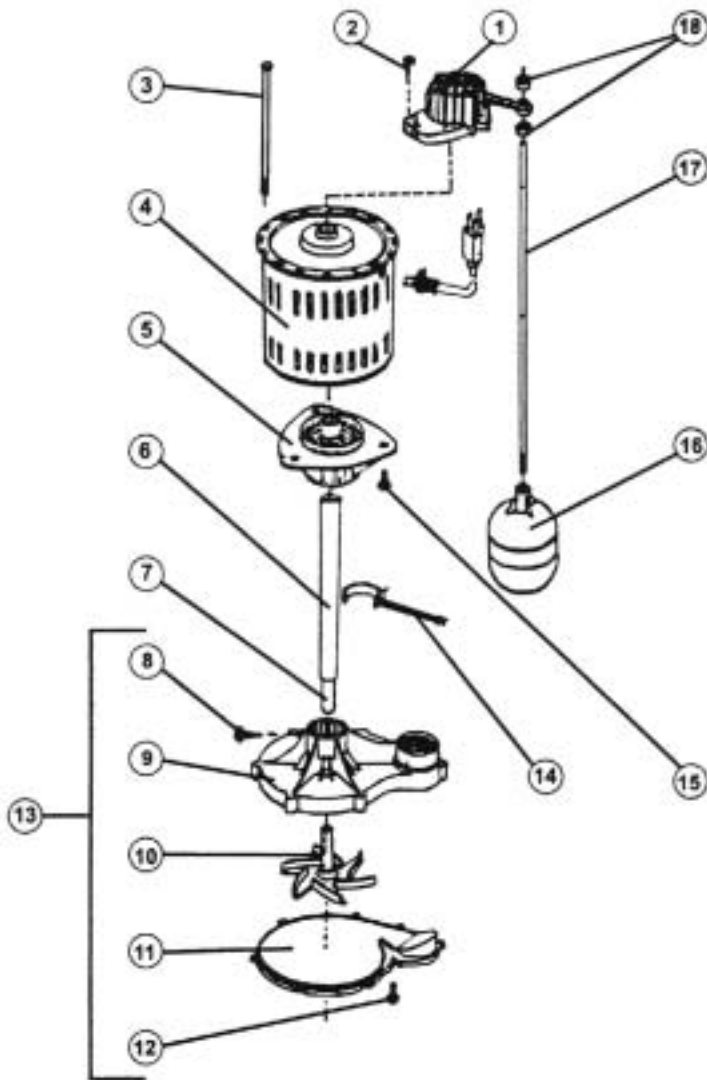


TITAN

Column Sump Pump Disassembly

Model DSCN250 Item #8090



Key #	Item #	Description	Qty
1	302711	Top Mount Switch	1
2	302712	Switch screws	2
3	—	Long Bolt	1
4	—	Complete Motor 1/3 HP	1
5	—	Flange	1
6	—	PVC Column	1
7	—	PVC Main Shaft	1
8	—	Column / Base Screws	2
9	—	Pump Volute	1
10	—	Impeller	1
11	—	Volute Base	1
12	—	Base Screws	8
13	302713	Base Assembly	1
14	302714	Float Guide	1
15	—	Flange Screws	3
16	302715	Float	1
17	302716	Float Rod	1
18	302717	Rubber Stop	2