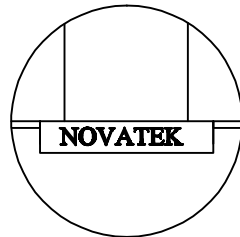
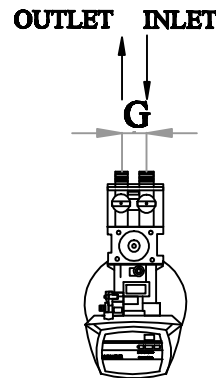


NOVATEK METERMATIC SE Water Conditioner-Twin Tank

TOP VIEW -BRINE TANK



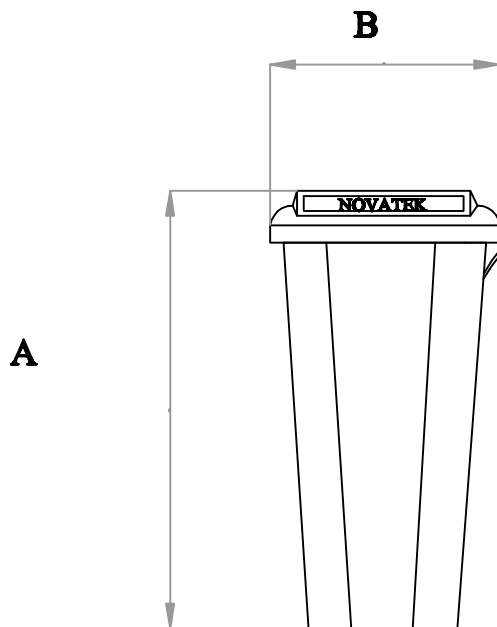
TOP VIEW -MINERAL TANK



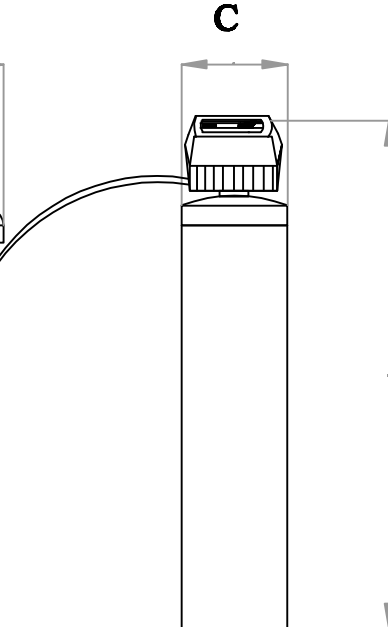
DIMENSIONS INCHES (CM)

	NT24SE	NT32SE	NT40SE	NT64SE	NT96SE
A	35 (89)	35 (89)	36 (91)	36 (91)	36 (91)
B	18 (46)	18 (46)	21 (53)	21 (53)	21 (53)
C	9 (23)	10 (25)	10 (25)	12 (30)	14 (36)
D	41 (104)	41 (104)	53 (135)	58 (147)	71 (180)
E	15 (38)	15 (38)	15 (38)	15 (38)	15 (38)
F	37 (94)	37 (94)	49 (124)	54 (137)	67 (170)
G	2 (5)	2 (5)	2 (5)	2 (5)	2 (5)

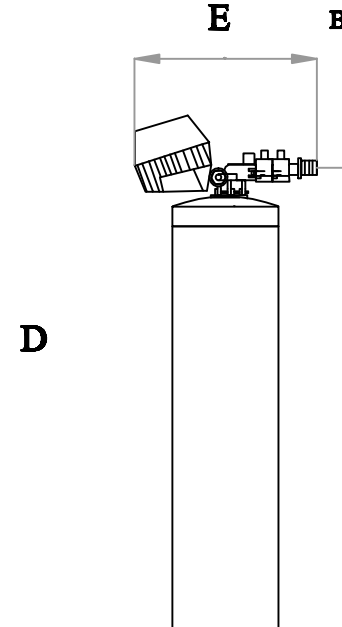
FRONT VIEW -BRINE TANK



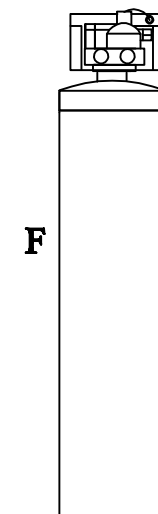
FRONT VIEW -MINERAL TANK



SIDE VIEW -MINERAL TANK



BACK VIEW -MINERAL TANK



S-NT-SE-D11