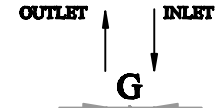


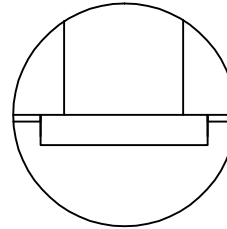
# HIGH FLOW 7000 SERIES SOFTENER

DIMENSIONS INCHES (CM)				
	HF30EM	HF45EM	HF60EM	HF90EM
<b>A</b>	35 (89)	38 (97)	38 (97)	38 (97)
<b>B</b>	18 (46)	22 (56)	22 (56)	22 (56)
<b>C</b>	10 (25)	10 (25)	12 (30)	14 (36)
<b>D</b>	43 (109)	62 (157)	60 (152)	73 (185)
<b>E</b>	18 (46)	18 (46)	18 (46)	18 (46)
<b>F</b>	38 (97)	57 (145)	55 (140)	68 (173)
<b>G</b>	3 (8)	3 (8)	3 (8)	3 (8)

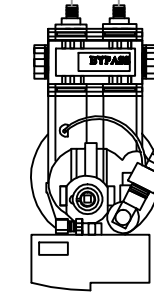
TOP VIEW -MINERAL TANK



TOP VIEW -BRINE TANK



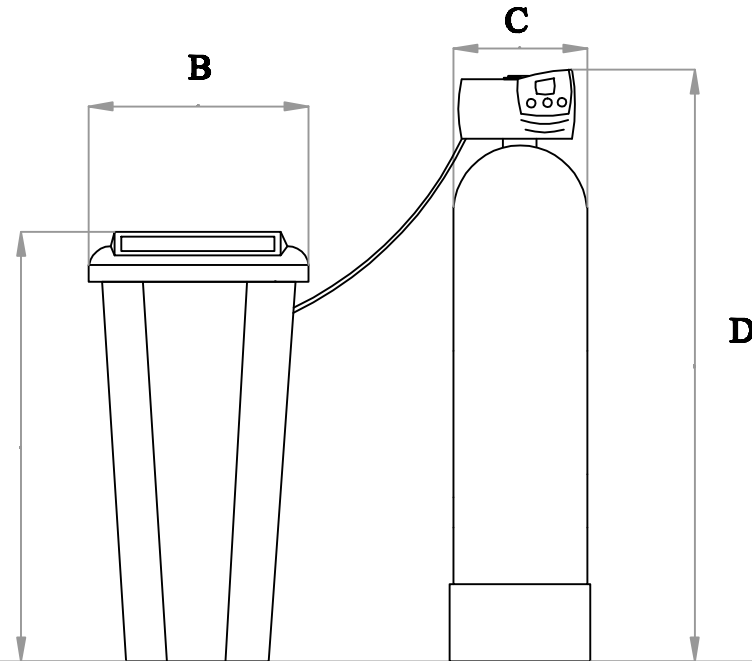
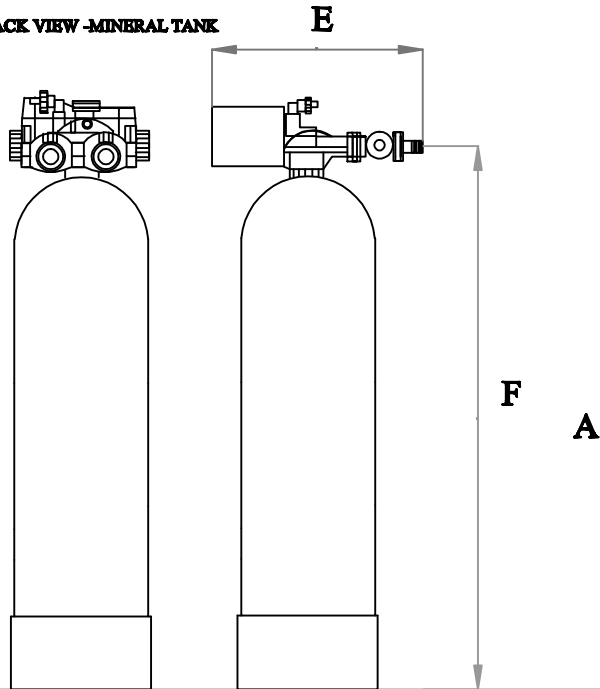
FRONT VIEW -BRINE TANK



FRONT VIEW -MINERAL TANK

SIDE VIEW -MINERAL TANK

BACK VIEW -MINERAL TANK



S-HF-EM-D4