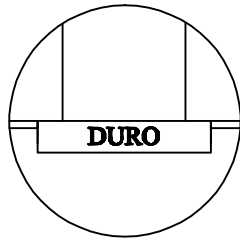


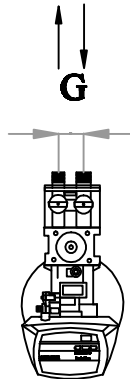
DURO EM Water Conditoner-Twin Tank

TOP VIEW -BRINE TANK



TOP VIEW -MINERAL TANK

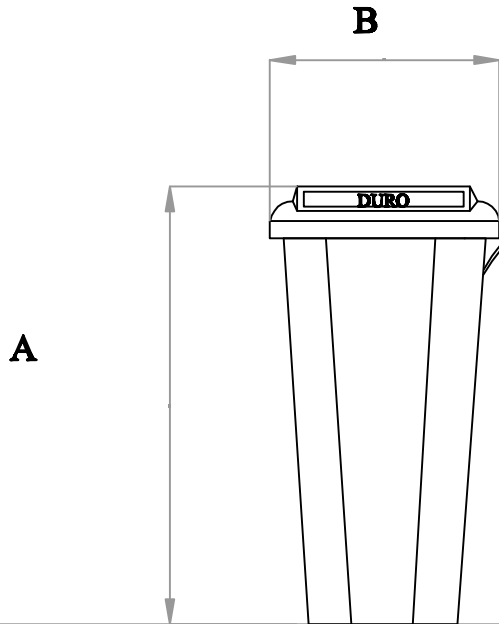
OUTLET INLET



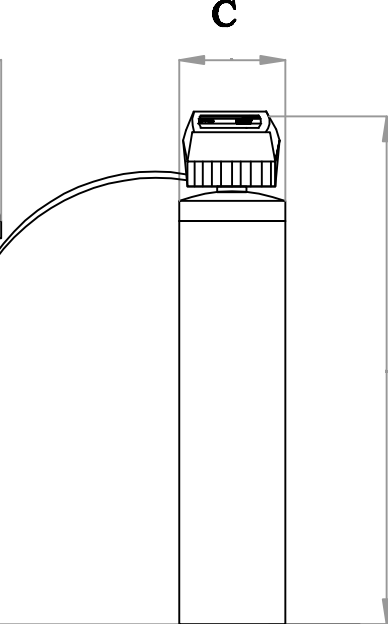
DIMENSIONS INCHES (CM)

	DT20EM	DT30EM	DT40EM	DT60EM	DT90EM
A	35 (89)	35 (89)	36 (91)	36 (91)	36 (91)
B	18 (46)	18 (46)	21 (53)	21 (53)	21 (53)
C	9 (23)	10 (25)	10 (25)	12 (30)	14 (36)
D	41 (104)	41 (104)	53 (135)	58 (147)	71 (180)
E	15 (38)	15 (38)	15 (38)	15 (38)	15 (38)
F	37 (94)	37 (94)	49 (124)	54 (137)	67 (170)
G	2 (5)	2 (5)	2 (5)	2 (5)	2 (5)

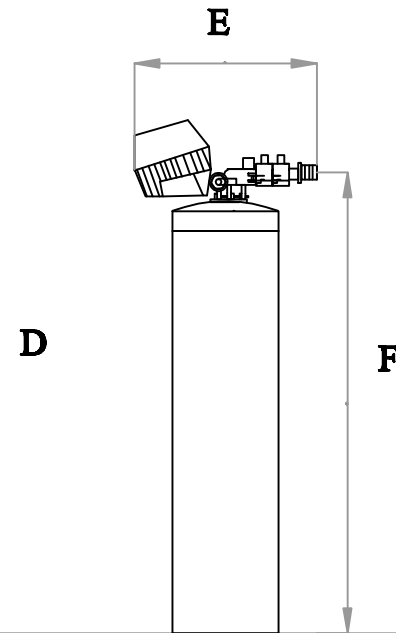
FRONT VIEW -BRINE TANK



FRONT VIEW -MINERAL TANK



SIDE VIEW -MINERAL TANK



BACK VIEW -MINERAL TANK



S-DT-EM-D9