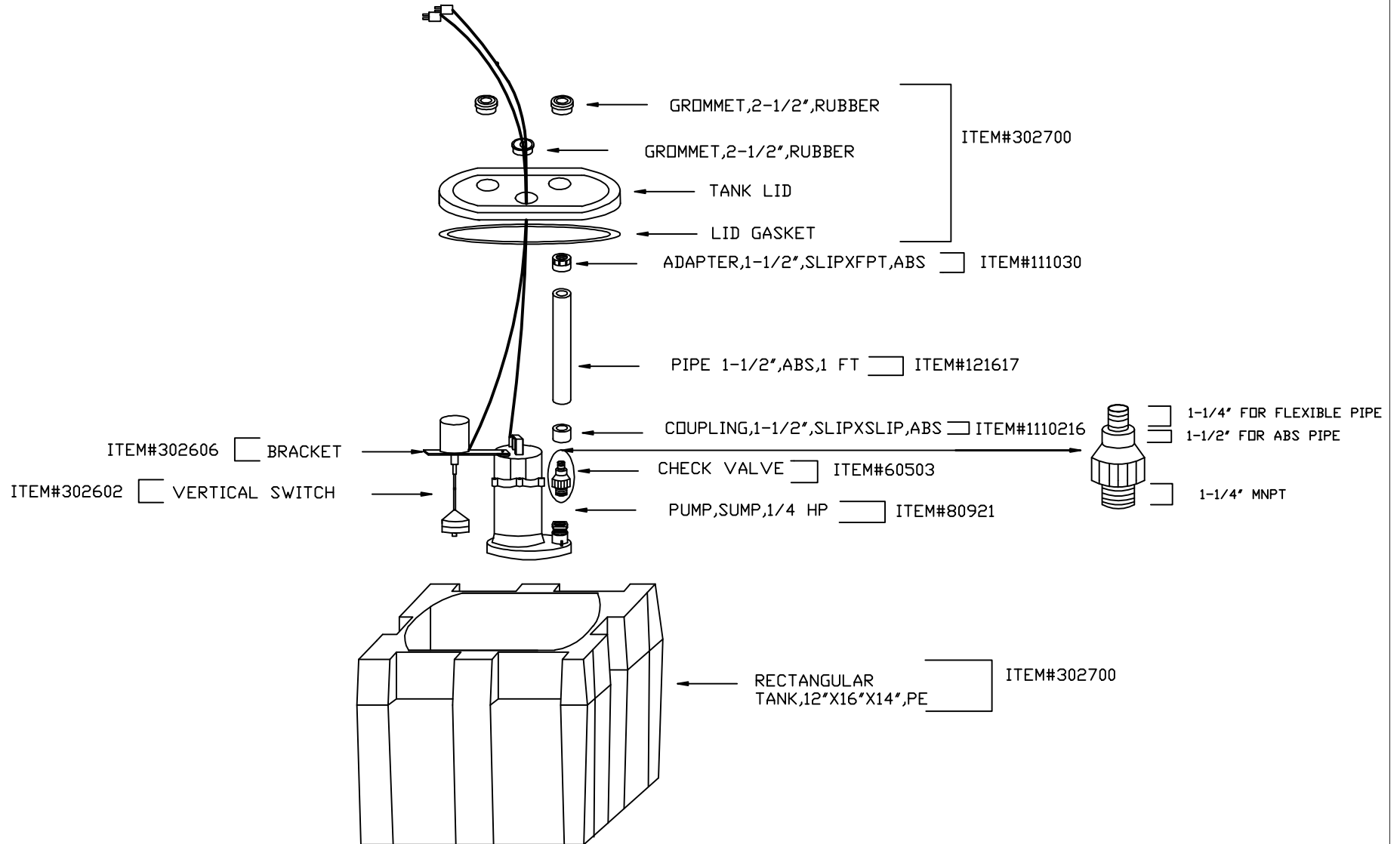


UNDER-SINK SUMP PUMP PACKAGE INSTALLATION DRAWING



#54462