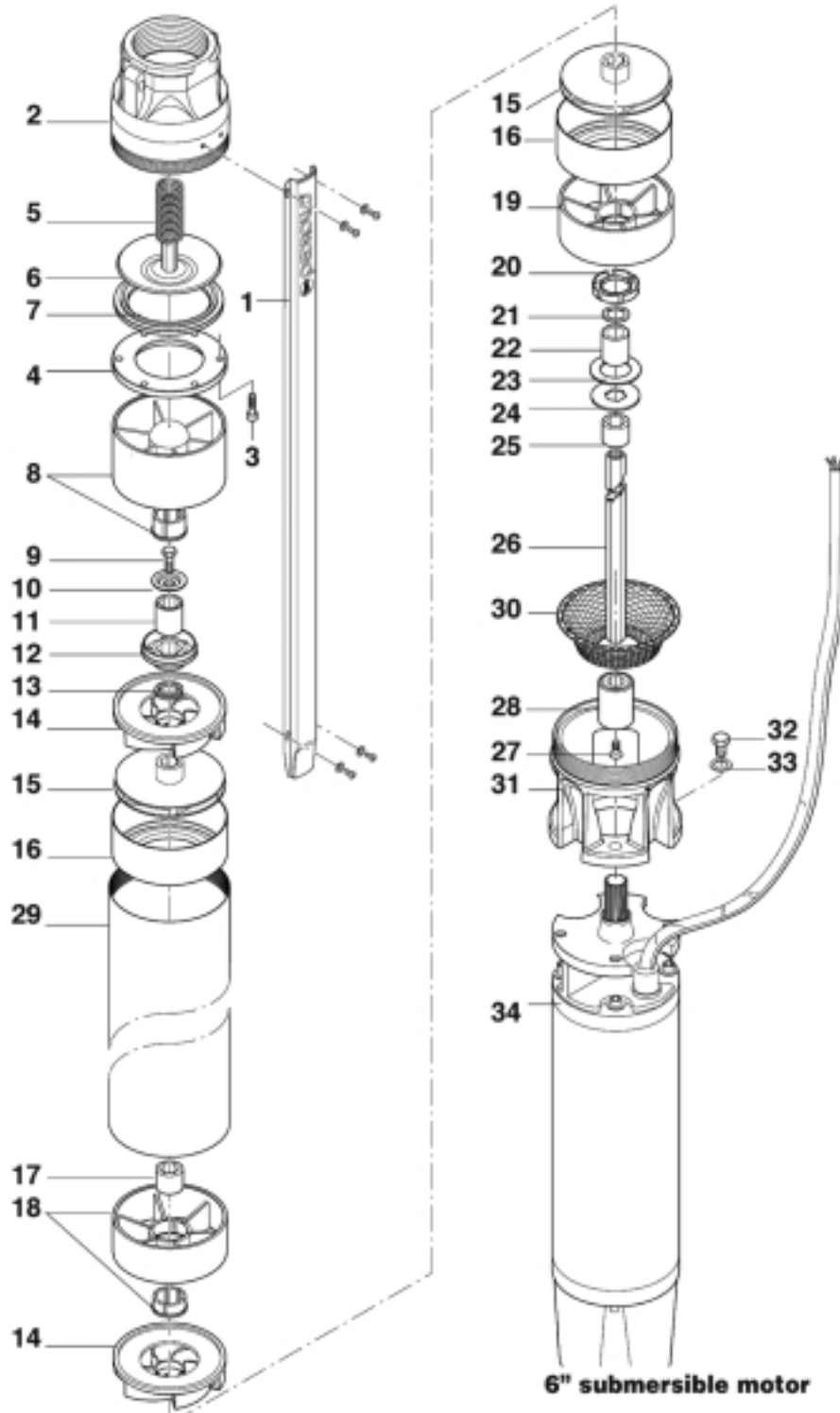


Pedrollo 6" Stainless Steel Submersible Pumps

with 4" Electric Motor - 6SR60G/50-75-100-125-150, 6SR70G/50-75-100-125-150-200, 6SR100G/50-75-100-125-150-200-250-300, 6SR120G/50-75-100-125-150-200-250-300-400



Pedrollo 4" Electric Motor Pumps

6SR60G/30-40-50-75

N°	Code	6SR60G/30	6SR60G/40	6SR60G/50	6SR60G/75	Description
1	857X6S0960	X				Cable guard
1	857X6S1200		X			Cable guard
1	857X6S0965			X		Cable guard
1	857X6S1210				X	Cable guard
2	859CM6PB	X	X	X	X	Discharge head
3	1160036	X	X	X	X	Screw
4	14FL55	X	X	X	X	Flange
5	114010	X	X	X	X	Spring
6	157XV65SR	X	X	X	X	Valve
7	11506151	X	X	X	X	Gasket
8	122SS6P1A	X	X	X	X	Upper bearing
9	1160044	X	X	X	X	Screw
10	11478266	X	X	X	X	Washer
11	15706S05	X	X	X	X	Spacer
12	1216001	X	X	X	X	Cover
13	11478259	X	X	X	X	Washer
14	121D6SR09N	X	X	X	X	Diffuser
15	161GR6SR09P	X	X	X	X	Impeller
16	857XA6R12	X	X	X	X	Bowl
17	122SI6P0	X	X	X	X	Lower bearing
18	157X6SR01	X	X	X	X	Cover
19	11478256	X	X	X	X	Washer
20	15706S05	X	X	X	X	Spacer
21	114748	X	X	X	X	Washer
22	11478267	X	X	X	X	Washer
23	15706S10	X	X	X	X	Spacer
24	RDC08A01P	X				Shaft
24	RDC11A01		X			Shaft
24	RDC08A01			X		Shaft
24	RDC11C01				X	Shaft
25	11604663	X	X	X	X	Screw
26	162GNR6N4	X	X	X	X	Coupling
27	857209A01P	X				External sleeve
27	857212A01A		X			External sleeve
27	857209A01A			X		External sleeve
27	857212C01A				X	External sleeve
28	159XR6F05	X	X	X	X	Filter
29	859LN6PC4	X	X	X	X	Motor bracket
30		X	X	X	X	4" submersible motors
		3 HP	5 HP	5 HP	7 1/2 HP	

Notes: 3" NPT thread discharge head and motor bracket in cast iron

Pedrollo 4" Electric Motor Pumps

6SR70G/40-50-75

N°	Code	6SR70G/30	6SR70G/40	6SR70G/50	6SR70G/75	Description
1	857X6S1260	X				Cable guard
1	857X6S0960		X			Cable guard
1	857X6S1200			X		Cable guard
1	857X6S0906				X	Cable guard
2	859CM6PBC	X	X	X	X	Discharge head
3	1160036	X	X	X	X	Screw
4	14FL55	X	X	X	X	Flange
5	114010	X	X	X	X	Spring
6	157XV65SR	X	X	X	X	Valve
7	11506151	X	X	X	X	Gasket
8	122SS6P1A	X	X	X	X	Upper bearing
9	1160044	X	X	X	X	Screw
10	11478266	X	X	X	X	Washer
11	15706S05	X	X	X	X	Spacer
12	1216001	X	X	X	X	Cover
13	11478259	X	X	X	X	Washer
14	121D6SR18N	X	X	X	X	Diffuser
15	161GR6SR12	X	X	X	X	Impeller
16	857XA6R12	X	X	X	X	Bowl
17	122SI6P0	X	X	X	X	Lower bearing
18	157X6SR01	X	X	X	X	Cover
19	11478256	X	X	X	X	Washer
20	15706S05	X	X	X	X	Spacer
21	114748	X	X	X	X	Washer
22	11478267	X	X	X	X	Washer
23	15706S10	X	X	X	X	Spacer
24	RDC11A01P	X				Shaft
24	RDC08A01P		X			Shaft
24	RDC11A01			X		Shaft
24	RDC08B01				X	Shaft
25	11604663	X	X	X	X	Screw
26	162GNR6N4	X	X	X	X	Coupling
27	857212A01P	X				External sleeve
27	857209A01P		X			External sleeve
27	857212A01A			X		External sleeve
27	857209B01A				X	External sleeve
28	159XR6F05	X	X	X	X	Filter
29	859LN6PC4	X	X	X	X	Motor bracket
30		X	X	X	X	4" submersible motors
		3 HP	5 HP	5 HP	7 1/2 HP	

Notes: 3" NPT thread discharge head and motor bracket in cast iron

Pedrollo 4" Electric Motor Pumps

6SR100G/40-50-75

N°	Code	6SR120G/50	6SR120G/75	Description
1	857X6S2760	X		Cable guard
1	857X6S2765		X	Cable guard
2	859CM6PBC	X	X	Discharge head
3	1160036	X	X	Screw
4	14FL55	X	X	Flange
5	114010	X	X	Spring
6	157XV65SR	X	X	Valve
7	11506151	X	X	Gasket
8	122SS6P1A	X	X	Upper bearing
9	1160044	X	X	Screw
10	11478266	X	X	Washer
11	15706S05	X	X	Spacer
12	1216001	X	X	Cover
13	11478259	X	X	Washer
14	121D6SR27	X	X	Diffuser
15	161GR6SR27	X	X	Impeller
16	857XA6R27	X	X	Bowl
17	122SI6P0	X	X	Lower bearing
18	157X6SR01	X	X	Cover
19	11478256	X	X	Washer
20	15706S05	X	X	Spacer
21	114748	X	X	Washer
22	11478267	X	X	Washer
23	15706S10	X	X	Spacer
24	RDC26A01P	X		Shaft
24	RDC26B01P		X	Shaft
25	11604663	X	X	Screw
26	162GNR6N4	X	X	Coupling
27	857227A01P	X		External sleeve
27	857227B01P		X	External sleeve
28	159XR6F05	X	X	Filter
29	859LN6PC4	X	X	Motor bracket
30		X	X	4" submersible motors
		5 HP	7 1/2 HP	

Notes: 3" NPT thread discharge head and motor bracket in cast iron

Pedrollo 4" Electric Motor Pumps

6SR120G/50-75

N°	Code	6SR60G/50	6SR60G/75	6SR60G/100	6SR60G/125	6SR60G/150	Description
1	857X6S0965	X					Cable guard
1	857X6S1225		X				Cable guard
1	857X6S1230			X			Cable guard
1	857X6S0970				X		Cable guard
1	857X6S0975					X	Cable guard
2	859CM6PBC	X	X	X	X	X	Discharge head
3	1160036	X	X	X	X	X	Screw
4	14FL55	X	X	X	X	X	Flange
5	114010	X	X	X	X	X	Spring
6	157XV65SR	X	X	X	X	X	Valve
7	11506151	X	X	X	X	X	Gasket
8	122SS6P1A	X	X	X	X	X	Upper bearing
9	1160044	X	X	X	X	X	Screw
10	11478266	X	X	X	X	X	Washer
11	15706S05	X	X	X	X	X	Spacer
12	1216001	X	X	X	X	X	Cover
13	11478259	X	X	X	X	X	Washer
14	121D6SR09N	X	X	X	X	X	Diffuser
15	161GR6SR09P	X	X	X	X	X	Impeller
16	857XA6R12	X	X	X	X	X	Bowl
17	15706S01				X	X	Spacer
18	122SI6P0G				X	X	Intermediate bearing
19	122SI6P0	X	X	X	X	X	Lower bearing
20	157X6SR01	X	X	X	X	X	Cover
21	11478256	X	X	X	X	X	Washer
22	15706S05	X	X	X	X	X	Spacer
23	114748	X	X	X	X	X	Washer
24	11478267	X	X	X	X	X	Washer
25	15706S15	X	X	X	X	X	Spacer
26	RDC09A01P	X					Shaft
26	RDC12C01		X				Shaft
26	RDC18B01			X			Shaft
26	RDC09B01P				X		Shaft
26	RDC09C01P					X	Shaft
27	11604665	X	X	X	X	X	Screw
28	162GNR6NL	X	X	X	X	X	Coupling
29	857209A01A	X					External sleeve
29	857212C01A		X				External sleeve
29	857212D01A			X			External sleeve
29	857209B01P				X		External sleeve
29	857209C01P					X	External sleeve
30	159XR6F05	X	X	X	X	X	Filter
31	859LN6PB	X	X	X	X	X	Motor bracket
32	1160459	X	X	X	X	X	Screw
33	1147880	X	X	X	X	X	Washer
34		X	X	X	X	X	6" submersible motors
		5 HP	7½ HP	10 HP	15 HP	15 HP	

Notes: 3" NPT thread discharge head and motor bracket in cast iron

Pedrollo 6" Electric Motor Pumps

6SR60G/50-75-100-125-150

N°	Code	6SR60G/50	6SR60G/75	6SR60G/100	6SR60G/125	6SR60G/150	Description
1	857X6S0965	X					Cable guard
1	857X6S1225		X				Cable guard
1	857X6S1230			X			Cable guard
1	857X6S0970				X		Cable guard
1	857X6S0975					X	Cable guard
2	859CM6PBC	X	X	X	X	X	Discharge head
3	1160036	X	X	X	X	X	Screw
4	14FL55	X	X	X	X	X	Flange
5	114010	X	X	X	X	X	Spring
6	157XV65SR	X	X	X	X	X	Valve
7	11506151	X	X	X	X	X	Gasket
8	122SS6P1A	X	X	X	X	X	Upper bearing
9	1160044	X	X	X	X	X	Screw
10	11478266	X	X	X	X	X	Washer
11	15706S05	X	X	X	X	X	Spacer
12	1216001	X	X	X	X	X	Cover
13	11478259	X	X	X	X	X	Washer
14	121D6SR09N	X	X	X	X	X	Diffuser
15	161GR6SR09P	X	X	X	X	X	Impeller
16	857XA6R12	X	X	X	X	X	Bowl
17	15706S01				X	X	Spacer
18	122S16P0G				X	X	Intermediate bearing
19	122S16P0	X	X	X	X	X	Lower bearing
20	157X6SR01	X	X	X	X	X	Cover
21	11478256	X	X	X	X	X	Washer
22	15706S05	X	X	X	X	X	Spacer
23	114748	X	X	X	X	X	Washer
24	11478267	X	X	X	X	X	Washer
25	15706S15	X	X	X	X	X	Spacer
26	RDC09A01P	X					Shaft
26	RDC12C01		X				Shaft
26	RDC18B01			X			Shaft
26	RDC09B01P				X		Shaft
26	RDC09C01P					X	Shaft
27	11604665	X	X	X	X	X	Screw
28	162GNR6NL	X	X	X	X	X	Coupling
29	857209A01A	X					External sleeve
29	857212C01A		X				External sleeve
29	857212D01A			X			External sleeve
29	857209B01P				X		External sleeve
29	857209C01P					X	External sleeve
30	159XR6F05	X	X	X	X	X	Filter
31	859LN6PB	X	X	X	X	X	Motor bracket
32	1160459	X	X	X	X	X	Screw
33	1147880	X	X	X	X	X	Washer
34		X	X	X	X	X	6" submersible motors
		5 HP	7½ HP	10 HP	15 HP	15 HP	

Notes: 3" NPT thread discharge head and motor bracket in cast iron

Pedrollo 6" Electric Motor Pumps

6SR70G/50-75-100-125-150-200

N°	Code							Description
		6SR70G/50	6SR70G/75	6SR70G/100	6SR70G/125	6SR70G/150	6SR70G/200	
1	857X6S1805	X						Cable guard
1	857X6S1265		X					Cable guard
1	857X6S1816			X				Cable guard
1	857X6S1270				X			Cable guard
1	857X6S0970					X		Cable guard
1	857X6S1275						X	Cable guard
2	859CM6PBC	X	X	X	X	X	X	Discharge head
3	1160036	X	X	X	X	X	X	Screw
4	14FL55	X	X	X	X	X	X	Flange
5	114010	X	X	X	X	X	X	Spring
6	157XV65SR	X	X	X	X	X	X	Valve
7	11506151	X	X	X	X	X	X	Gasket
8	122SS6P1A	X	X	X	X	X	X	Upper bearing
9	1160044	X	X	X	X	X	X	Screw
10	11478266	X	X	X	X	X	X	Washer
11	15706S05	X	X	X	X	X	X	Spacer
12	1216001	X	X	X	X	X	X	Cover
13	11478259	X	X	X	X	X	X	Washer
14	121D6SR18N	X	X	X	X	X	X	Diffuser
15	161GR6SR12	X	X	X	X	X	X	Impeller
16	857XA6R12	X	X	X	X	X	X	Bowl
17	15706S01				X	X	X	Spacer
18	122SI6POG				X	X	X	Intermediate bearing
19	122SI6PO	X	X	X	X	X	X	Lower bearing
20	157X6SR01	X	X	X	X	X	X	Cover
21	11478256	X	X	X	X	X	X	Washer
22	15706S05	X	X	X	X	X	X	Spacer
23	114748	X	X	X	X	X	X	Washer
24	11478267	X	X	X	X	X	X	Washer
25	15706S15	X	X	X	X	X	X	Spacer
26	RDC12A01	X						Shaft
26	RDC12A01P		X					Shaft
26	RDC18A01			X				Shaft
26	RDC12B01P				X			Shaft
26	RDC09B01P					X		Shaft
26	RDC12C01P						X	Shaft
27	11604665	X	X	X	X	X	X	Screw
28	162GNR6NL	X	X	X	X	X	X	Coupling
29	857212A01A	X						External sleeve
29	857209B01A		X					External sleeve
29	857218A01A			X				External sleeve
29	857212B01P				X			External sleeve
29	857209B01P					X		External sleeve
29	857212C01P						X	External sleeve
30	159XR6F05	X	X	X	X	X	X	Filter
31	859LN6PB	X	X	X	X	X	X	Motor bracket
32	1160459	X	X	X	X	X	X	Screw
33	1147880	X	X	X	X	X	X	Washer
34		X	X	X	X	X	X	6" submersible motors
		5 HP	7½ HP	10 HP	15 HP	15 HP	20 HP	

Notes: 3" NPT thread discharge head and motor bracket in cast iron

Pedrollo 6" Electric Motor Pumps

6SR100G/50-75-100-125-150-200-250-300

N°	Code									Description
		6SR100G/50	6SR100G/75	6SR100G/100	6SR100G/125	6SR100G/150	6SR100G/200	6SR100G/250	6SR100G/300	
1	857X6S1860	X								Cable guard
1	857X6S1805		X							Cable guard
1	857X6S1810			X						Cable guard
1	857X6S1265				X					Cable guard
1	857X6S1865					X				Cable guard
1	857X6S1270						X			Cable guard
1	857X6S1235							X		Cable guard
1	857X6S1240								X	Cable guard
2	859CM6P8C	X	X	X	X	X	X	X	X	Discharge head
3	1160036	X	X	X	X	X	X	X	X	Screw
4	14FL55	X	X	X	X	X	X	X	X	Flange
5	114010	X	X	X	X	X	X	X	X	Spring
6	157XV65SR	X	X	X	X	X	X	X	X	Valve
7	11506151	X	X	X	X	X	X	X	X	Gasket
8	122SS8P1A	X	X	X	X	X	X	X	X	Upper bearing
9	1160044	X	X	X	X	X	X	X	X	Screw
10	11478266	X	X	X	X	X	X	X	X	Washer
11	15706S05	X	X	X	X	X	X	X	X	Spacer
12	1216001	X	X	X	X	X	X	X	X	Cover
13	11478259	X	X	X	X	X	X	X	X	Washer
14	121D6SR18N	X	X	X	X	X	X	X	X	Diffuser
15	161GR6SR18P	X	X	X	X	X	X	X	X	Impeller
16	857XA6R12	X	X	X	X	X	X	X	X	Bowl
17	15706S01					X	X	X	X	Spacer
18	122SI6POG					X	X	X	X	Intermediate bearing
19	122SI6PO	X	X	X	X	X	X	X	X	Lower bearing
20	157X6SR01	X	X	X	X	X	X	X	X	Cover
21	11478256	X	X	X	X	X	X	X	X	Washer
22	15706S05	X	X	X	X	X	X	X	X	Spacer
23	114748	X	X	X	X	X	X	X	X	Washer
24	11478267	X	X	X	X	X	X	X	X	Washer
25	15706S15	X	X	X	X	X	X	X	X	Spacer
26	RDC18A01P	X								Shaft
26	RDC12A01		X							Shaft
26	RDC12B01			X						Shaft
26	RDC12A01P				X					Shaft
26	RDC18801P					X				Shaft
26	RDC12B01P						X			Shaft
26	RDC12E01							X		Shaft
26	RDC12F01								X	Shaft
27	11604665	X	X	X	X	X	X	X	X	Screw
28	162GNR6NL	X	X	X	X	X	X	X	X	Coupling
29	857209A01P	X								External sleeve
29	857212A01A		X							External sleeve
29	857212B01A			X						External sleeve
29	857209B01A				X					External sleeve
29	857218A01P					X				External sleeve
29	857212B01P						X			External sleeve
29	857212E01A							X		External sleeve
29	857212F01A								X	External sleeve
30	159XR6F05	X	X	X	X	X	X	X	X	Filter
31	859LN6PB	X	X	X	X	X	X	X	X	Motor bracket
32	1160459	X	X	X	X	X	X	X	X	Screw
33	1147880	X	X	X	X	X	X	X	X	Washer
34		X	X	X	X	X	X	X	X	6" submersible motors
		5 HP	7½ HP	10 HP	15 HP	15 HP	20 HP	25 HP	30 HP	

Notes: 3" NPT thread discharge head and motor bracket in cast iron

