

# High Flow 7000 Twin Tank Water Softener

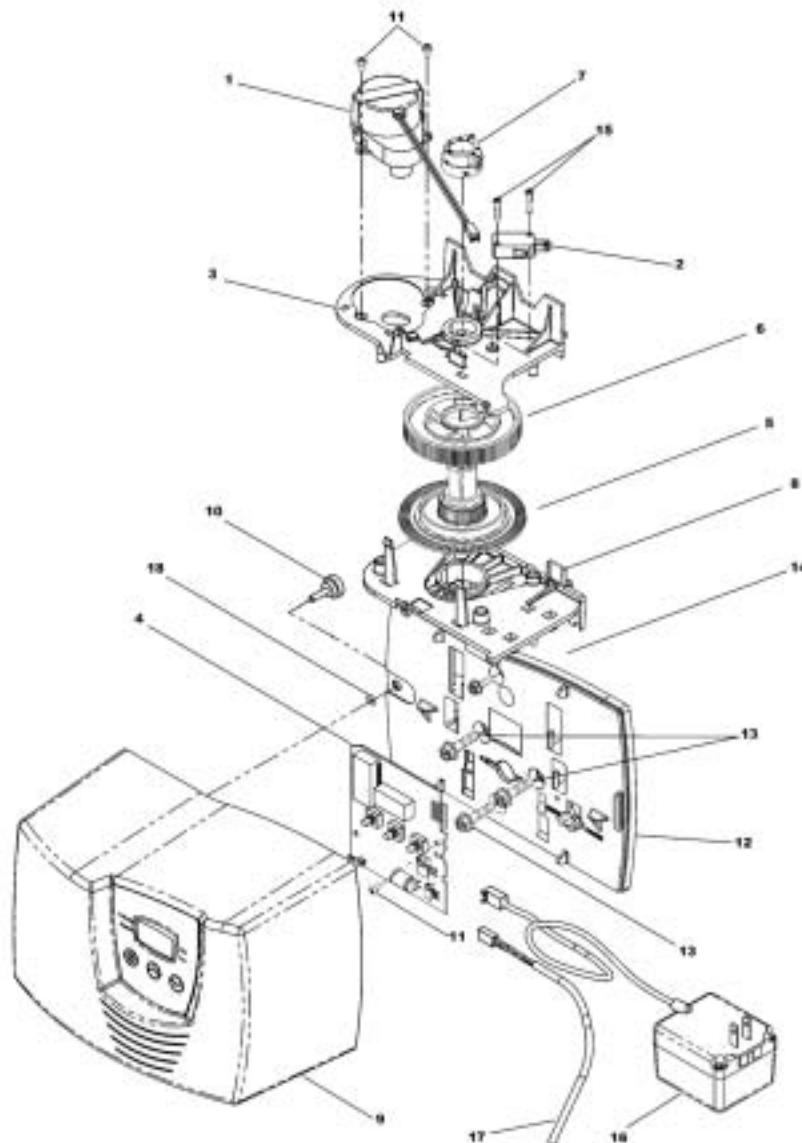


<u>Part No.</u>	<u>Model Description</u>	<u>Distributor #1</u>	<u>Jacket #3</u>	<u>Valve #2</u>	<u>Tank #4</u>	<u>Brine Tank #5</u>	<u>Grid #6</u>	<u>Safety Float #7</u>	<u>Resin (21501)</u>
4200	HF30EM	19495	100506	Call	110354	100283	NA	13624	1.00 CF
4201	HF45EM	19478	100508	Call	110544	100192	19709	13624	1.50 CF
4202	HF60EM	19477	N/A	Call	112524	100192	95009-21	13624	2.00 CF
4203	HF90EM	13860	N/A	Call	114651	100192	19706	13624	3.00 CF

## Common Components

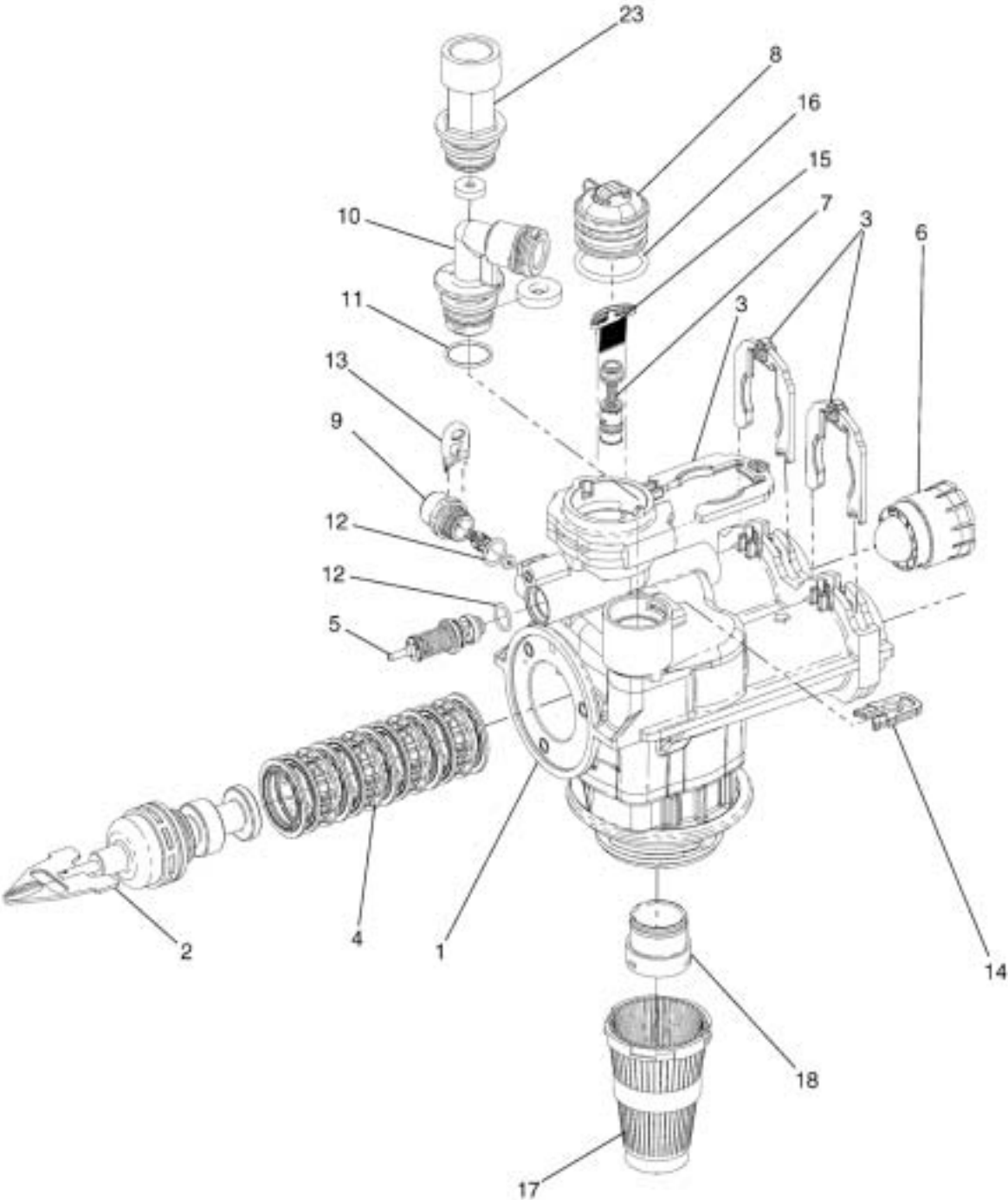
<u>Item No.</u>	<u>Part No.</u>	<u>Description</u>
8	48004	Brine Well Cap

# High Flow Twin Tank 7000 Power Head



Item No.	Qty Req'd	Part No.	Description	Item No.	Qty Req'd	Part No.	Description
1	1	40968	Motor	10	1	19367	Screw, thumb
2	1	10218	Optional auxiliary switch	11	3	13602	Screw, 6-32x.312"
3	1	40978	Plate, upper support	12	1	40980	Backplate
4	1	42098	Circuit board	13	3	40967	Screw, 1/4-20x1.0"
5	1	40702	Shaft, encoder	14	1	15727	Screw, 10-24x1/2"
6	1	40703	Gear, main drive	15	2	11805	Screw, 4-40x5/8"
7	1	40704	Cam, brine, down flow	16	1	40981	Transformer, US 24V, 9.6VA
		40977	Cam, aux. switch/filter	17	1	19791-01	Meter cable assembly, turbine
8	1	40979	Plate, lower support	18	1	41122	O-ring
9	1	40709	Cover assembly				

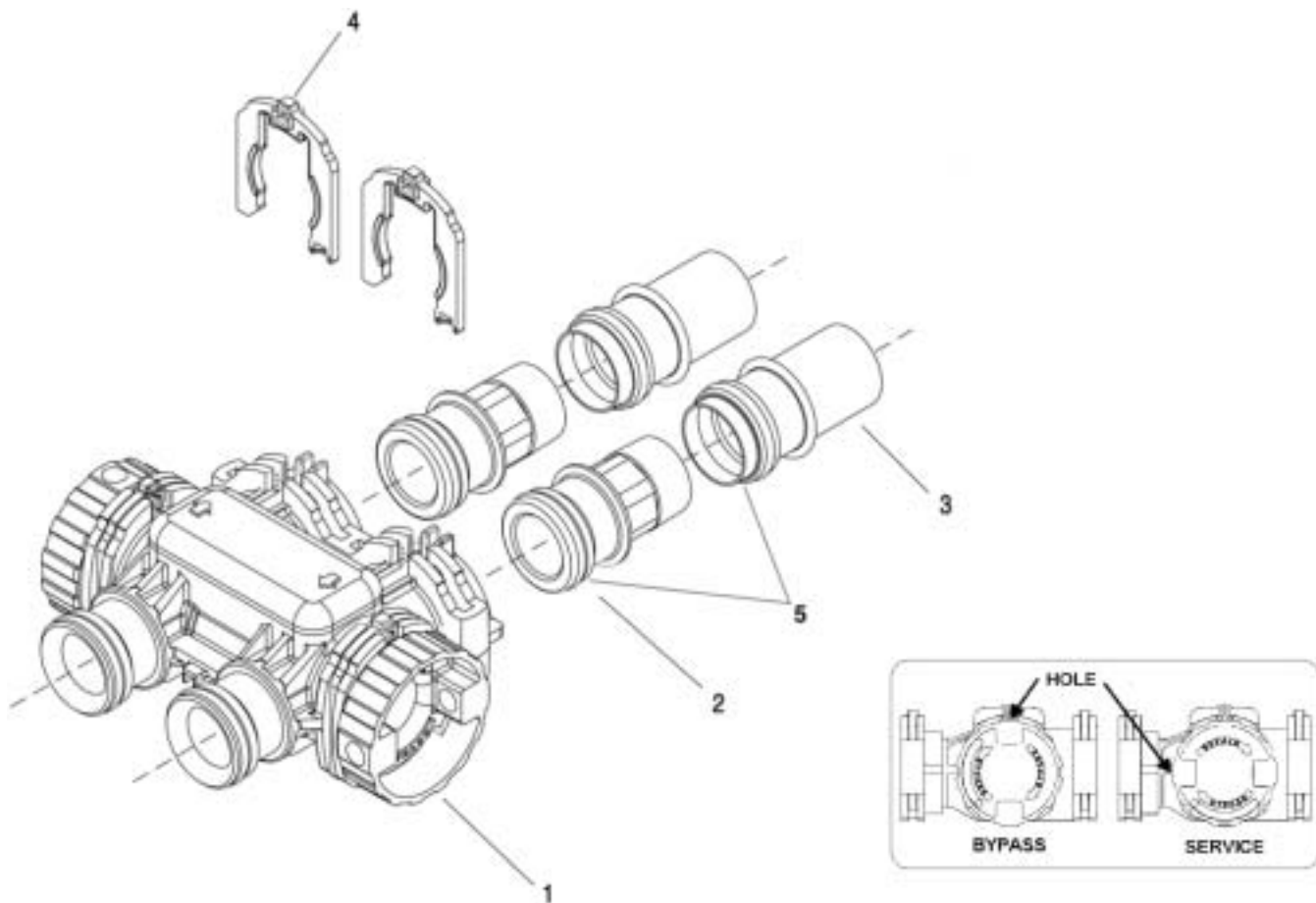
# High Flow Twin Tank 7000 Valve Assembly



# High Flow Twin Tank 7000 Valve Assembly

Item No.	Qty Req'd	Part No.	Description	Item No.	Qty Req'd	Part No.	Description
1	1	61050	Valve body assembly	10	1	61XXX	DLFC assemblies
2	1	61452-10	Piston assembly, 7000 softener, D/F 35 GPM				<b>DLFC</b>
		61453-10	Piston assembly, 7000 softener, D/F 28 GPM				<b>Part #      Size      GPM</b>
		61452-20	Piston assembly, 7000 filter				61455-17      3/4"      1.7
3	3	40576	Clip, H, plastic				61455-20      3/4"      2.0
4	1	61438	Seal and spacer kit				61455-24      3/4"      2.4
5	1	19429	Brine valve, 7000				61455-30      3/4"      3.0
6	1	40577	Turbine meter assembly				61455-35      3/4"      3.5
7	1	61XXX	Injector assemblies				61455-40      3/4"      4.0
			<b>Part #      Injector #</b>				61455-45      3/4"      4.5
			61454-000      #000				61455-50      3/4"      5.0
			61454-00      #00	11	1	13303	61455-60      3/4"      6.0
			61454-0      #0	12	2	13302	61455-70      3/4"      7.0
			61454-1      #1				11      1      13303
			61454-2      #2				12      2      13302
			61454-3      #3				13      1      40946
			61454-4      #4				14      1      40945
			61454-5      #5				15      1      40950
8	1	40556	Cap, injector				16      1      40951
9	1	61XXX	BLFC assemblies				17      1      18280
			<b>BLFC</b>				18      1      61419
			<b>Part #      Size      GPM</b>				23      1      61XXX
			61450-12      3/8"      0.125				DLFC kits
			61450-25      3/8"      0.25				<b>DLFC</b>
			61450-50      3/8"      0.50				<b>Part #      Size      GPM</b>
			61450-100      3/8"      1.0				61456-8.0      1"      8.0
			61451-12      1/2"      0.125				61456-9.0      1"      9.0
			61451-25      1/2"      0.25				61456-10      1"      10.0
			61451-50      1/2"      0.50				61456-12      1"      12.0
			61451-100      1/2"      1.0				61456-15      1"      15.0
							61456-20      1"      20.0
							61456-25      1"      25.0
							61456-30      1"      30.0

# High Flow Twin Tank 7000 Bypass Assembly



## IMPORTANT

To bypass the valve, turn bypass knob on both sides of the valve to bypass position. (See inset)

When returning to service, put the inlet into service before the outlet.

Item No.	Qty Req'd	Part No.	Description
1	1	40569	7000 bypass assembly
2	1	40563-01	Connector, 1" NPT
		40565-01	Connector, 1-1/4" NPT
3	1	41242-01	Connector, 1" & 1-1/4" sweat, copper
		41243-01	Connector, 1-1/4" & 1-1/2" sweat, copper
4	2	40576	Clip, H, plastic
5	1	40951	O-ring