

# Remote Water Chillers

This is a stylish and unique water chiller that fits discretely under the kitchen sink...ready to plug in!

- Provides perfectly chilled drinking water at 39 - 42°F (4 - 6°C)
- All stainless steel waterways to use with RO system
- White powder coated galvanized steel cabinet with light gray plastic fascia
- Easy to install with quick-connect fittings
- Four foot insulated power cord with NEMA 5-15 plug-ready to plug in
- Adjustable water temperature control
- One gallon per hour cooling capacity; stainless steel storage tank
- Air cooled; no cabinet venting required
- Includes four feet of 1/4" diameter tubing, two quick-connect fittings, wall mounting clips and screws, instruction manual
- NSF approved
- One year limited warranty



**Cabinet:** Powder coated galvanized steel cabinet with plastic front.

**Cold Water Refrigeration Unit:** Convection-cooled condenser. Internally spring mounted, hermetically sealed compressor with automatic overload protector. No lubrication needed. Refrigerant is controlled accurately by capillary tube. Air-cooled; designed to fit under a cabinet.

**Cold Water Thermostat:** Temperature is controlled by an adjustable thermostat with "OFF" position that is easily accessible on the front of the cabinet.

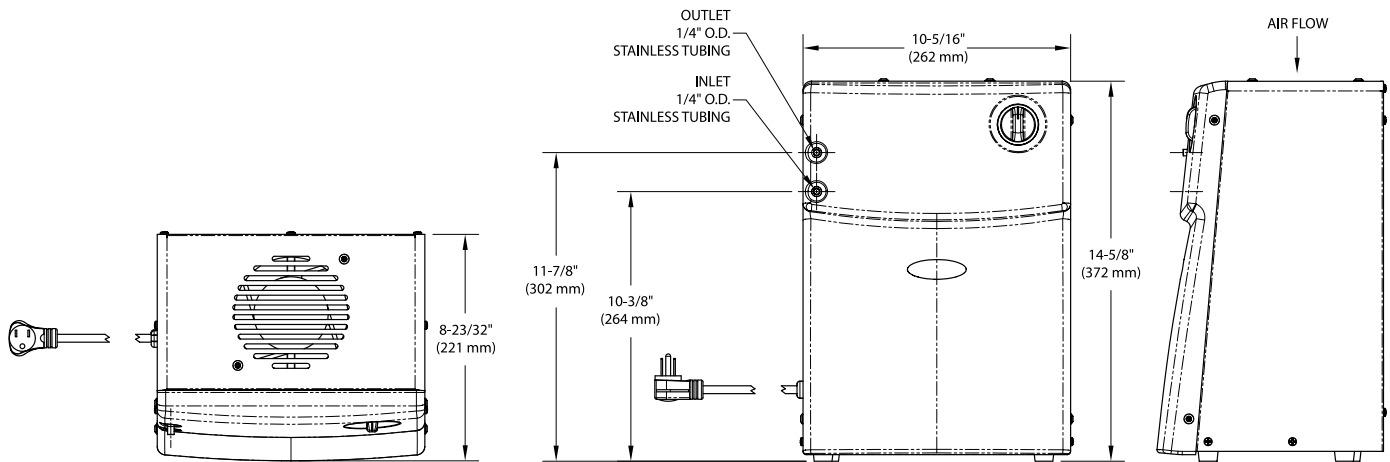
**Cold Water Reservoir:** Evaporator is made of copper tube on stainless steel water tank and both are encapsulated in insulation.

**Capacity:** 1 GPH cooling capacity.

**Electrical:** 115 volts, 60 Hz. 15-20 amp. Water cooler compressor hp 1/20. Insulated power cord with NEMA 5-15 polarized plug.

**Limited One Year Warranty:** One year on the sealed refrigeration system and most component parts. Detailed warranty certificate enclosed with each water cooler; sample copy available upon request.

## Dimensional Data



### NOTE:

- FOR BEST PERFORMANCE, ALLOW A 2" (51 mm) SPACE AROUND THE SIDE AND THE TOP. DO NOT PUT ANY OBJECTS ON TOP OF THE CHILLER THAT COULD OBSTRUCT THE FAN.

## Specifications

| Item Number | Model Description | Cooling Capacity <sup>1</sup><br>GPH (LPH) | 115 volts, 60Hz |             | Dimensions<br>W x D x H<br>Inches | Net Weight<br>Lbs. |
|-------------|-------------------|--|-----------------|-------------|-----------------------------------|--------------------|
|             |                   |  | Full Load Amps  | Rated Watts |                                   |                    |
| 2878        | R1P               | 1.0 (3.8)                                  | 1.3             | 135         | 10-5/16 x 8-3/4 x 14-5/8          | 30                 |

<sup>(1)</sup>Capacity is at industry standard rating conditions of 50°F (10°C) outlet water, 80°F (26.7°C) inlet water and 90°F (32.2°C) ambient air.

- Model covered by this specification complies with all known Plumbing Codes. Listed by Underwriters Laboratories Inc.
- Components in this cooler are lead free as defined by the safe Drinking Water Act Amendments of 1986, and the Lead Contamination Control Act of 1988.
- Drinking water cooler is Certified to NSF/ANSI 61.
- All specifications subject to change without notice.



Certified to  
NSF / ANSI 61 / Section 9

**WATERGROUP INC.**  
FRIDLEY, MN  
1-800-354-7867  
[www.watergroup.com](http://www.watergroup.com)

**WATERGROUP COMPANIES INC.**  
REGINA, SK • CAMBRIDGE, ON  
1-877-288-9888

Manufactured by Tri Palm International, LLC  
Cienega De Flores, Mexico

#57400 Rev. 4/08  
Printed in Canada

